

# MHA 904 – Manual call point with signalling and power contact 3A

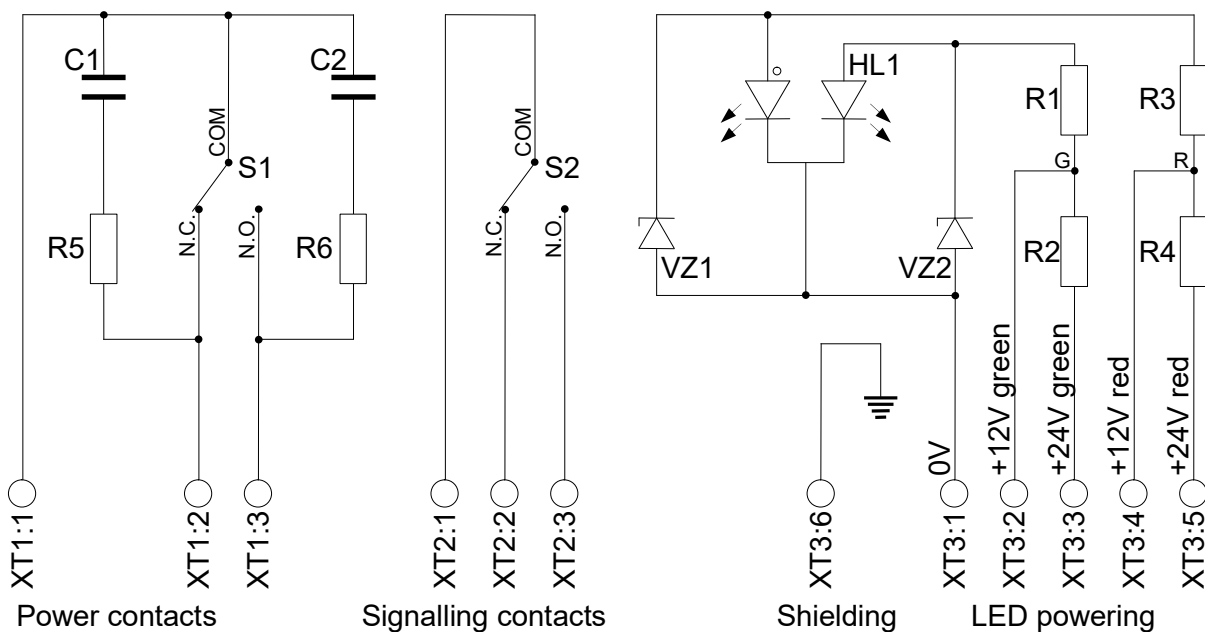
Manual call point MHA 904 is equipped with 2 change-over reed switches with two stable states that switch simultaneously, and with two-colour LED signalling state of the manual call point or an external device. One change-over contact can switch up to 0,5 A, the other one, power, can switch up to 3 A. The manual call point contains a terminal base to which the change-over contacts and two-colour LED are connected.



Manual call point comes in following colour variant.

Colour	Drawing number	Label
Red	6XK 053 340	Without label
Green	6XK 053 341	Without label
Blue	6XK 053 342	Without label
Yellow	6XK 053 343	Without label

On customers demand a custom label can be added.



Scheme of connection

To terminal base 1, 2 and 3 on XT1 is connected power change-over reed switch 3 A which is controlled by manual call point's magnet. In normal state (button not pressed) are connected terminals 1 and 2, in activated state (pressed button) are connected terminals 1 and 3.

To terminal base 1, 2 and 3 on XT2 is connected a change-over reed switch 0,5 A which is controlled by manual call point's magnet. In normal state (button not pressed) are connected terminals 1 and 2, in activated state (pressed button) are connected terminals 1 and 3.

Terminal base XT3 has 6 terminals marked from 1 to 6. Terminals 1-5 serves for connection of two-colour LED. Terminal 6 is free and can be used for example for connection of shielding.

Connection of two-colour LED:

Terminal XT 3	Meaning
1	common – minus
2	+ 12 V green colour
3	+ 24 V green colour
4	+ 12 V red colour
5	+ 24 V red colour

## Working conditions

The manual call point is intended for the interior of objects without occurrence of aggressive substances, and for places where its protection and climatic immunity conform, and where sudden temperature changes leading to dew and ice accretion don't occur.

Working temperature range	-25 °C ÷ +70 °C
Relative air humidity	max. 95% at +40 °C (100 hours/year)
Atmospheric pressure	86 ÷ 106 kPa

## Technical parameters

Contact: 0,5 A	switched power	max. 10 W
	switched current	max. 0,5 A
	switched voltage	max. 48 V DC
Contact: 3 A	switched power	max. 100 W
	switched current	max. 3 A
	switched voltage	max. 48 V DC

Power supply voltage/LED consumption	12 V/10mA, 24V/10mA
Conductor diameter	max. 1,5 mm <sup>2</sup>
Protection (according to ČSN EN 60 529)	IP 43
Dimensions	(129 × 129 × 47) mm

Version 7/2019



LITES Liberec s.r.o., Oblouková 135  
463 03 Stráž nad Nisou, Česká republika  
[www.lites.cz](http://www.lites.cz)