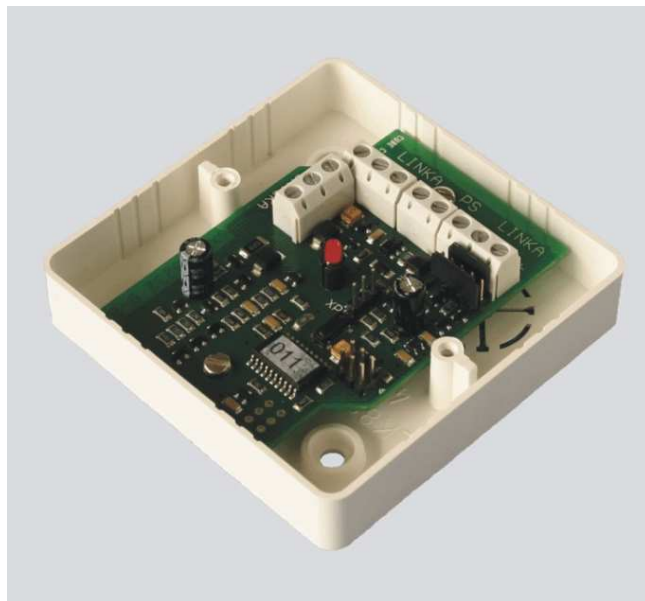


MHY 419

Addressable unit

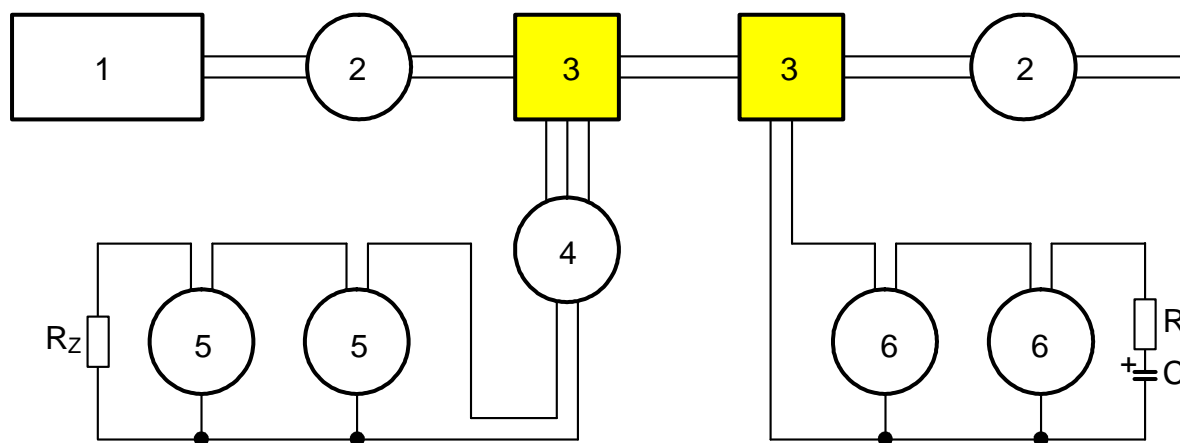
Addressable unit MHY 419 is an element in Fire Detection and Fire Alarm System Lites, that allows connection of conventional (non-addressable) smoke detectors to an addressable system Lites with C.I.E. MHU 109, MHU 110/111, MHU 115 and MHU 116/117.



Addressable unit connects to a detection line. Address can be set by addressing preparation MHY 535. One or more conventional smoke detectors can be connected to the addressable unit and they reports to the C.I.E. under the address of the element. During operation the unit is not operated. Normal state is not signalled. Built-in red LED blinks during the alarm state. If the connected detectors are in explosive area, they have to be connected through separating unit MHY 945.

Note: Since 2/2006 The MHY 945 is being sold only as a spare part.

Example of wiring



1. Addressable C.I.E. Lites (MHU 109, MHU 110/111, MHU 115, MHU 116, MHU 117).
2. Addressable detectors.
3. Addressable unit.
4. Separating unit MHY 945.
5. Conventional detectors in space with explosion area using intrinsically safety. Loop is terminated by resistance R_z (for value see documentation of separating unit MHY 945).
6. Other conventional detectors. Conventional loop is terminated by RC filter.

Technical parameters

Power supply	(18 to 21) V_{imp}
Rated voltage	20 V_{imp}
Optical signalling	red LED
Connectable parallel signalling	MHS 409, MHS 408, MHS 407
Number of connectable conventional detectors	max. 10
Total standby consumption of connected detectors	max. 1 mA
Number of repeated restarts	0 ÷ 3
Fully loaded line resistance	
C.I.E.–addressable unit	max. 50 Ω
Loop with conventional detectors	max. 50 Ω
Address range	1 - 128
Parallel signalling line resistance	max. 100 Ω
Protection according to ČSN EN 60529	IP 40
Radio screening degree according to ČSN EN 55022	B-class equipment
Cross-section of connectable wires	(0,2 - 1,5) mm ²
Dimensions (w × h × d)	(81 × 81 × 24) mm
weight	cc 85 g

Product is intended for operation with safe equipment in sense of ČSN EN 60950.

Working conditions

Application of the addressable unit is in areas protected against weather conditions with classification according to ČSN EN 60721-3-3.

K: climatic conditions for environment

3K5

- working temperature range

-25°C ÷ +70°C

- max. relative humidity

95 % at 40°C

- without condensation and ice accretion

Z: special conditions

3Z1 heat radiation negligible

B: biological conditions

3B1 without presence of flora and fauna

C: chemical active substances

3C2

S: mechanical active substances

3S1

Duration of significant temperature (45°C ÷ 70°C)

2 months/year

Duration of significant humidity (85 % ÷ 95 % / ≤ 40°C)

100 hours/year

Version 04/20117